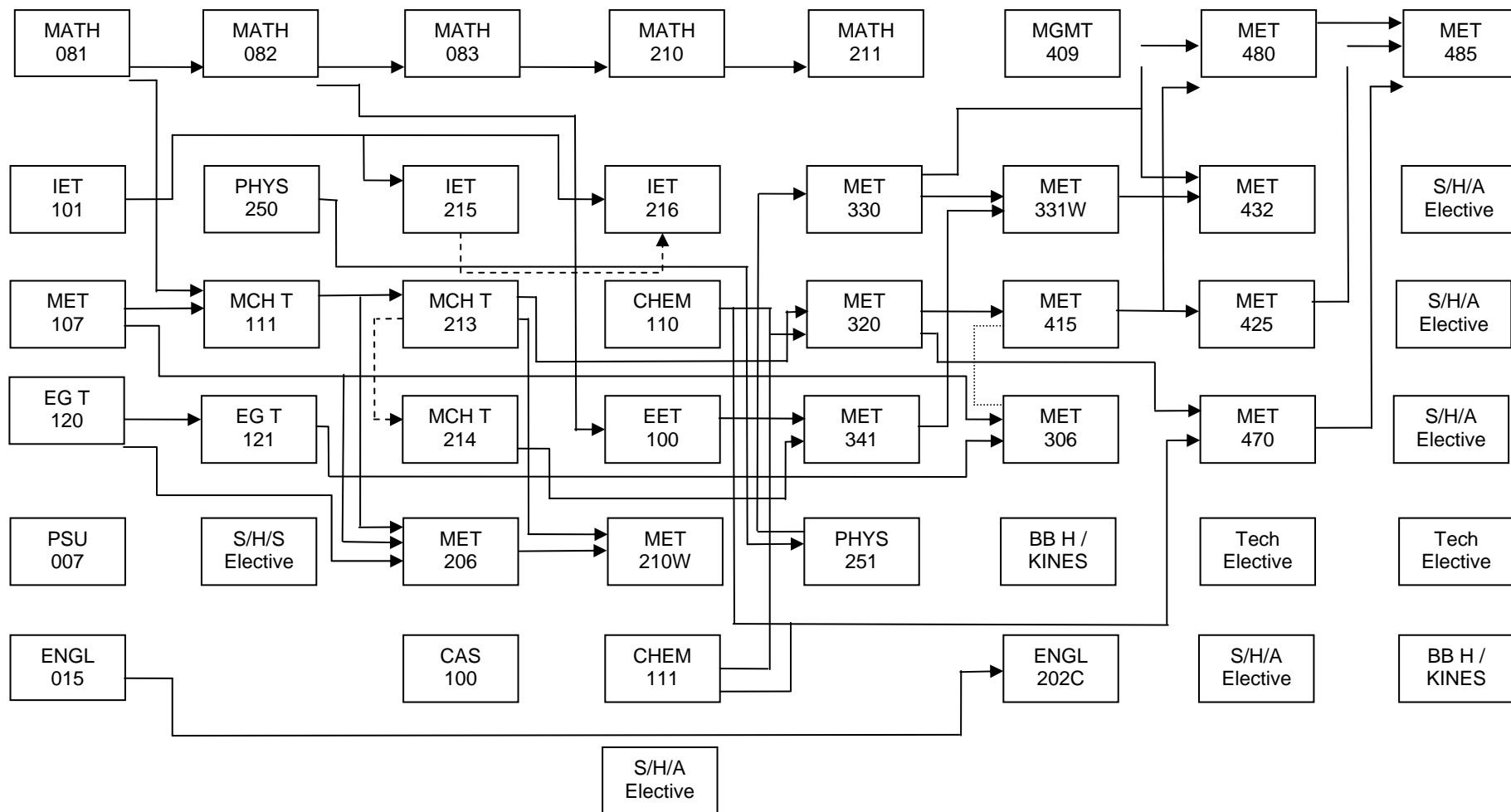


MECHANICAL ENGINEERING TECHNOLOGY (B.S.)

1 ST Semester 16 Credits	2 ND Semester 16 Credits	3 RD Semester 16 Credits	4 TH Semester 18 Credits	5 TH Semester 16 Credits	6 TH Semester 17.5 Credits	7 TH Semester 16 Credits	8 TH Semester 16.5 Credits
---	---	---	---	---	---	---	---



Pre-requisite —> Concurrent - - - - ->